

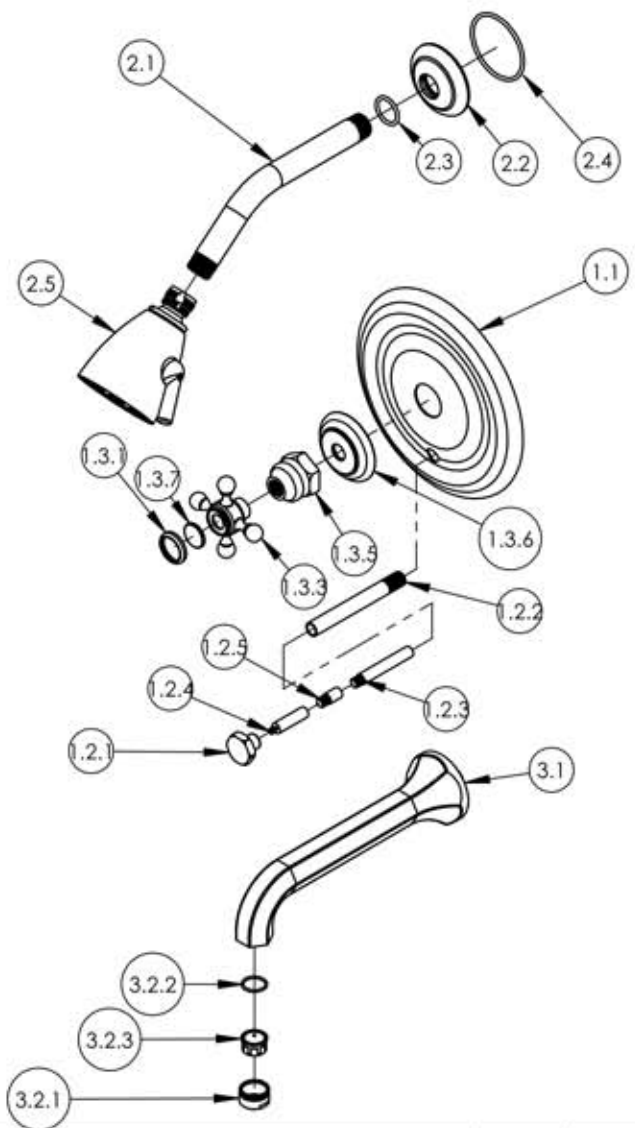
A

B

C

D

E



ITEM NO.	PART NUMBER	DESCRIPTION	QTY.
1	4-095/00	PB PLATE W/ DIVERTER, LEVER HANDLE, HEX TRADITIONAL SERIES	1
1.1	P17013/00	PRESSURE BALANCE TUB & SHOWER TRIM PLATE	1
1.2	3-322/00	EXTENSION ASSY. FOR PB TUB & SHOWER SET, HEX MODERN & TRADITIONAL SERIES	1
1.2.1	10920/00	POP-UP KNOB, HEX TRADITIONAL	1
1.2.2	11009/00	EXTENSION SLEEVE FOR STEM, PB TUB & SHOWER SET	1
1.2.3	11007/00	EXTENSION PIN FOR PB TUB & SHOWER SET 1.25LONGER	1
1.2.4	11008/00	DIVERTED STEM FOR PB PLATE	1
1.2.5	11085/00	EXTENSION PIN FOR PB TUB & SHOWER SET	1
1.3	3-1428/00	CROSS HANDLE, WALL/SHOWER, 500 SERIES	1
1.3.1	10538/00	CAP RING FOR 500 SERIES BUTTON	1
1.3.2	10622/00	HUB FOR HANDLE, CROSS	1
1.3.3	10623/00	HANDLE FINIAL CROSS	4
1.3.4	92008	SET SCREW, POINT 8CUP -32UNC 3/16"L	2
1.3.5	10621/00	BASE HUB NUT	1
1.3.6	10618/00	ESCUTCHEON, TRADITIONAL 500	1
1.3.7	11097	PLASTIC BUTTON, BLANK	1
2	4-140/00	SHOWER HEAD 8" ARM, 6 JET PLUNGER, HEX TRADITIONAL	1
2.1	P16008/00	SHOWER ARM (8 INCH)	1
2.2	P16011/00	K803 SHOWER FLANGE	1
2.3	90117	O-RING, 7/8"ID X 33/32"THK., AS-568-117	1
2.4	90138	O-RING, 2 1/8"ID X 3/32"THK., AS-568-138	1
2.5	P16014/00	SHOWERHEAD SIX JET	1
3	3-147	SPOUT, WALL TUB, 500/501 SERIES	1
3.1	10427/00	SPOUT WALL, HEX	1
3.2	3-409/00	AERATOR, 15/16" MALE HOUSING FULL FLOW	1
3.2.1	10784/00	HOUSING, AERATOR 15/16"-27	10784
3.2.2	90017	O-RING, 11/16"ID X 13/16"OD X 1/16"THK. AS-568-017	1
3.2.3	30031	AERATOR, FULL FLOW 15/16-27	1
3.3	10432	NIPPLE, WALL SPOUT	1
3.4	92010	SET SCREW, CUP POINT 8-32UNC 5/16" LENGTH SS	1

ALL	A	-ADDED SPOUT	9-22-2015	GRE
ZONE	REV.	DESCRIPTION	DATE	APPROVED

REVISIONS

1261 LOGAN AVENUE
COSTA MESA, CALIFORNIA 92626
PHONE: 714.361.4800
FAX: 714.617.3120

PHYLIRICH®

Defining Luxury Since 1959

PROPRIETARY AND CONFIDENTIAL
THE INFORMATION CONTAINED IN THIS DRAWING IS THE SOLE PROPERTY OF RJS MANUFACTURING. ANY REPRODUCTION IN PART OR AS A WHOLE WITHOUT THE WRITTEN PERMISSION OF RJS MANUFACTURING IS PROHIBITED.

-	-	INTERPRET GEOMETRIC DIMENSIONING & TOLERANCING IN ACCORDANCE WITH ASME Y14.5-2009 & ASME Y14.41-2003 STANDARDS, UNLESS OTHERWISE SPECIFIED. DIMENSIONS ARE IN INCHES. TOLERANCES ARE:
NEXT ASSY	USED ON	FRACTIONS ±1/64
APPLICATION		DECIMALS X.X: ±.1 X.XX: ±.01 X.XXX: ±.005
MATERIAL	NAME	ANGULAR ±.5°
FINISH	DATE	
DO NOT SCALE DRAWING	DRAWN	CHECKED
	CA	7/22/2013

PB SHOWER AND DIVERTER TRIM SET, CROSS HANDLE, HEX TRADITIONAL SERIES

SIZE	ASM/PRT NO.	REV
A	500-26/00	B
SCALE: 1:6	WEIGHT: lbs.	SHEET 1 OF 2

5

4

3

2

1